

Part No:

HWLSA19-0330-ER



WR-19 Level Set Waveguide Attenuator, 40-60 GHz with Micrometer Attenuation of 0 to 30 dB


Specifications

- Waveguide Size WR-19
- Frequency Range 40 - 60 GHz
- Micrometer Attenuation 0 to 30 dB
- VSWR 1.3:1 Max

Material

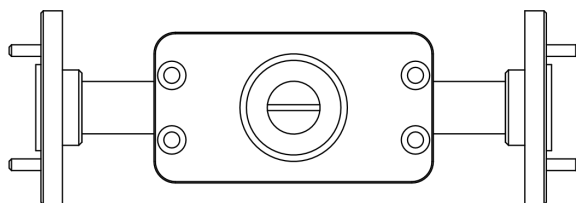
- Flange Type In/Out UG-383/M
- Flange Material Oxygen-Free High-Efficiency Copper (OFHC)
- Waveguide Material Oxygen-Free High-Efficiency Copper (OFHC)
- Finish Gold Plate

The HASCO **HWLSA19-0330-ER** is an U Band Level Set Waveguide Attenuator and covers a frequency range of **40 to 60 GHz**. This attenuator is equipped with a micrometer dial which makes the dB value mechanically adjustable. This attenuator is ideal for a waveguide system where broadband level setting is required. It is a passive, reciprocal network where either side can serve as input.

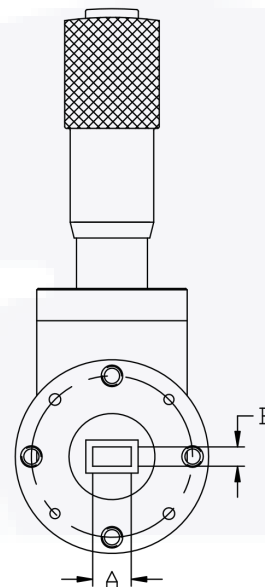
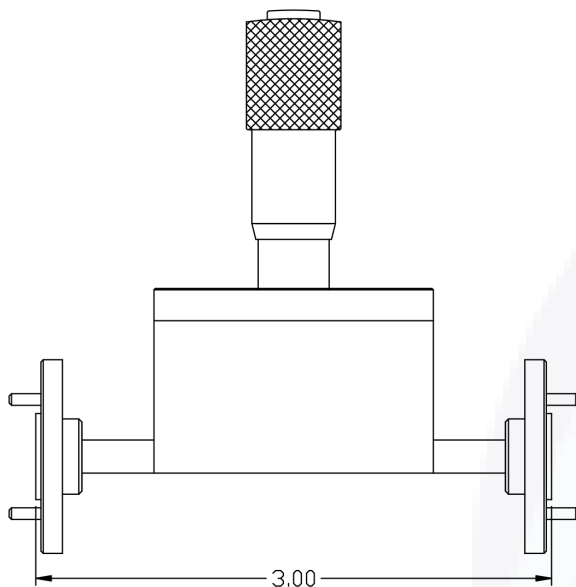
The **HWLSA19-0330-ER** is RoHS compliant. 

Waveguide attenuators lower the amplitude of a signal (attenuate) a known amount and can be used in a wide variety of applications. Waveguide Attenuators are used when a signal needs to be reduced to protect measurement equipment or other circuitry, to extend the range of power meters and amplifiers, and to impedance match circuits by reducing the VSWR seen by adjacent components. Waveguide attenuators can prevent signal overload in amplifiers, receivers and detectors, adjusting the signal level to a range that is optimal.

WR-19 Level Set Waveguide Attenuator | 40 - 60 GHz | Outline Drawing



WG Size	A	B
WR19	0.188	0.094
WR22	0.224	0.112



LTR	DESCRIPTION	DATE	APPR.	DRAWN BY: <i>JMS</i>	CHECKED BY: <i>TAC</i>
-	RELEASE	09/23	TAC	APPROVED BY: <i>TAC</i>	
				THESE DRAWINGS AND SPECIFICATIONS ARE THE PROPERTY OF HASCO COMPONENTS AND SHALL NOT BE REPRODUCED, COPIED NOR USED - IN WHOLE OR IN PART - AS THE BASIS FOR THE MANUFACTURE OR SALE OF OTHER ITEMS WITHOUT THE EXPRESS, WRITTEN PERMISSION OF HASCO COMPONENTS.	
THIS DRAWING IS A CONTROLLED DOCUMENT					



HASCO
COMPONENTS

5214 Bonsai Street • Moorpark, CA 93021
(888) 498-3242 • sales@hasco-inc.com
www.hasco-inc.com

MATERIALS: SEE DATA SHEET	CAGE CODE: 0T8L4	SCALE: N/A	SIZE: A
FINISHES: SEE DATA SHEET	PART NO./DRAWING NO. HWLSA19-0330-ER		REV: -